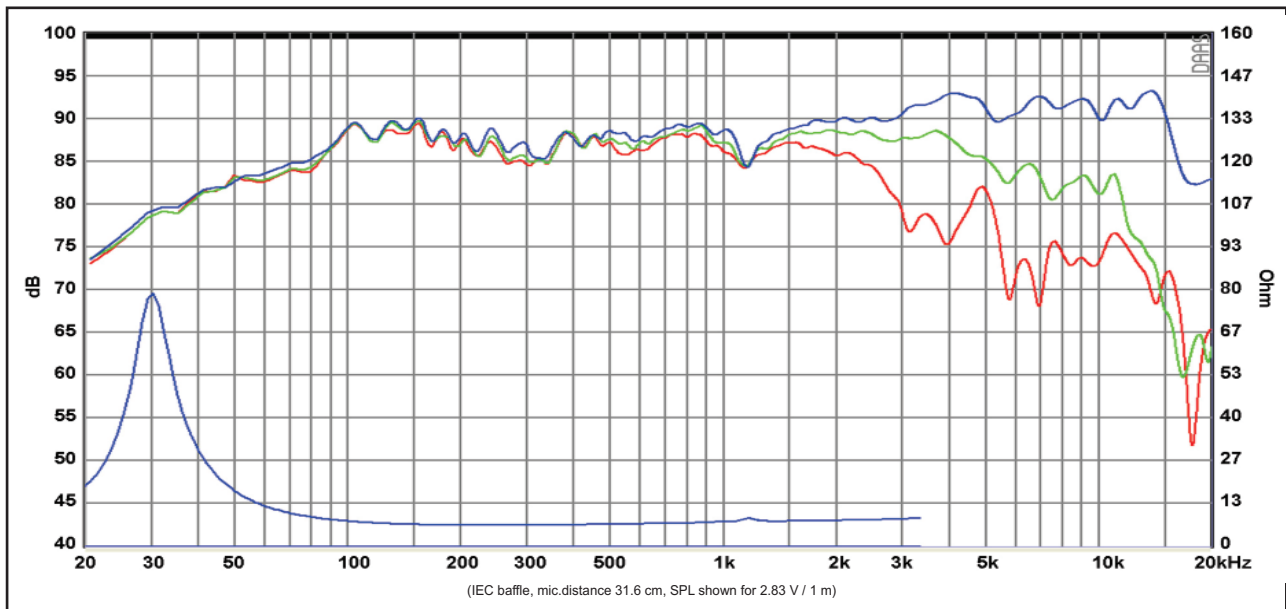
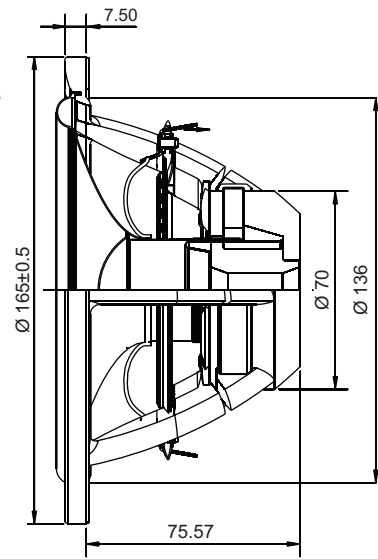
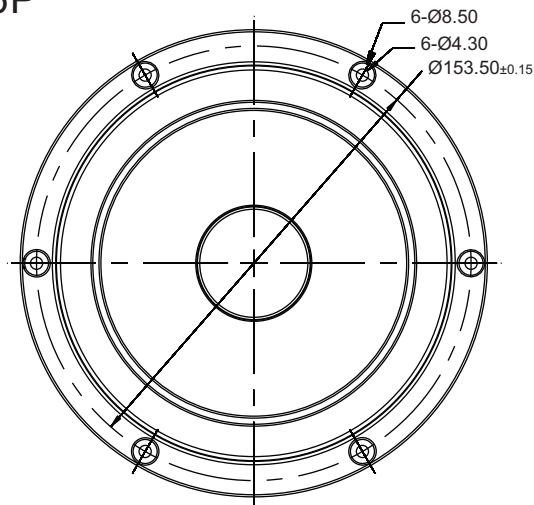


satori®

6 1/2" SATORI MW16P

Preliminary data



Response Curve :

— (Blue) : on axis — (Green) : 30° off-axis — (Red) : 60° off-axis

Specs :

Nominal Impedance	8 Ω	Free air resonance, Fs	29 Hz
DC resistance, Re	6.2 Ω	Sensitivity (2.83 V / 1 m)	87.5 dB
Voice coil inductance, Le	0.20 mH	Mechanical Q-factor, Qms	4.5
Effective piston area, Sd	119 cm ²	Electrical Q-factor, Qes	0.35
Voice coil diameter	36 mm	Total Q-factor, Qts	0.33
Voice coil height	17 mm	Moving mass incl.air, Mms	12.4 g
Air gap height	5 mm	Force factor, Bl	6.3 Tm
Linear coil travel (p-p)	12 mm	Equivalent volume, Vas	48 liters
Magnetic flux density	1.17 T	Compliance, Cms	2.4 mm/N
Magnet weight (NEO)	0.13 kg	Mechanical loss, Rms	0.5 kg/s
Net weight	1.01 kg	Rated power handling*	60 W

* IEC 268-5, T/S parameters measured on drive units that are broken in.