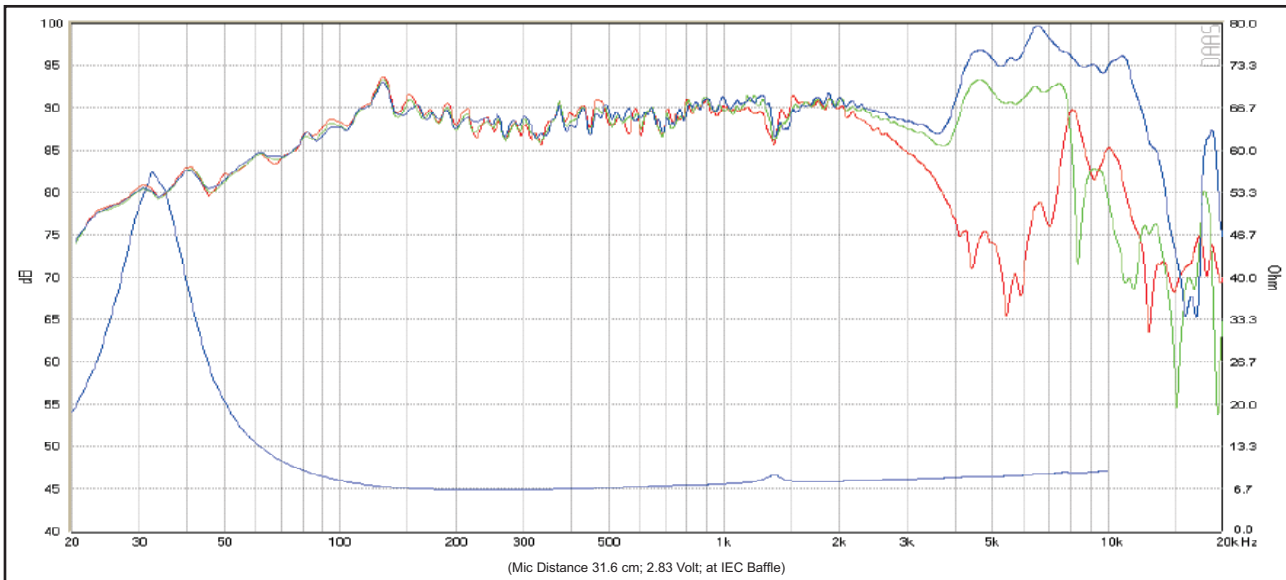
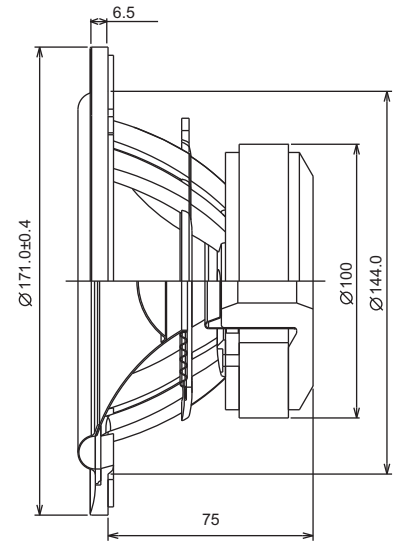
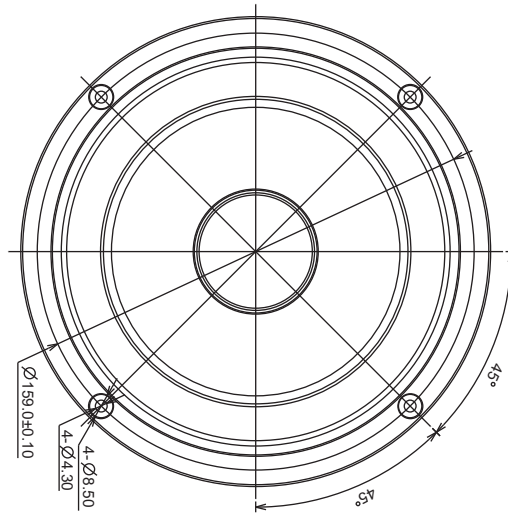


ACOUSTICS

6" SB17NRX35-8 (Preliminary Data)



Response Curve :

— (Blue) : on axis — (Green) : 30 off-axis — (Red) : 60 off-axis

Specs :

Nominal Impedance	8 Ω	Free air resonance, Fs	32 Hz
DC resistance, Re	5.7 Ω	Sensitivity (2.83 V/1m)	89 dB
Voice coil inductance, Le	0.15 mH	Mechanical Q-factor, Qms	5.0
Effective piston area, Sd	118 cm ²	Electrical Q-factor, Qes	0.36
Voice coil diameter	35.5 mm	Total Q-factor, Qts	0.34
Voice coil height	16 mm	Moving mass incl.air, md	11.0 g
Air gap height	5 mm	Force factor, Bl	5.9 Tm
Linear coil travel (p-p)	11 mm	Equivalent volume, Vas	44.5 liters
Magnetic flux density	1.0 T	Compliance, Cms	2.25 mm/N
Magnet weight	0.54 kg	Mechanical loss, Rm	0.44 kg/s
Net weight	1.56 kg	Rated power handling	60 watt

The parameter are measured on drive units that are broken in